

DOOR/REAR DECK SPEAKER

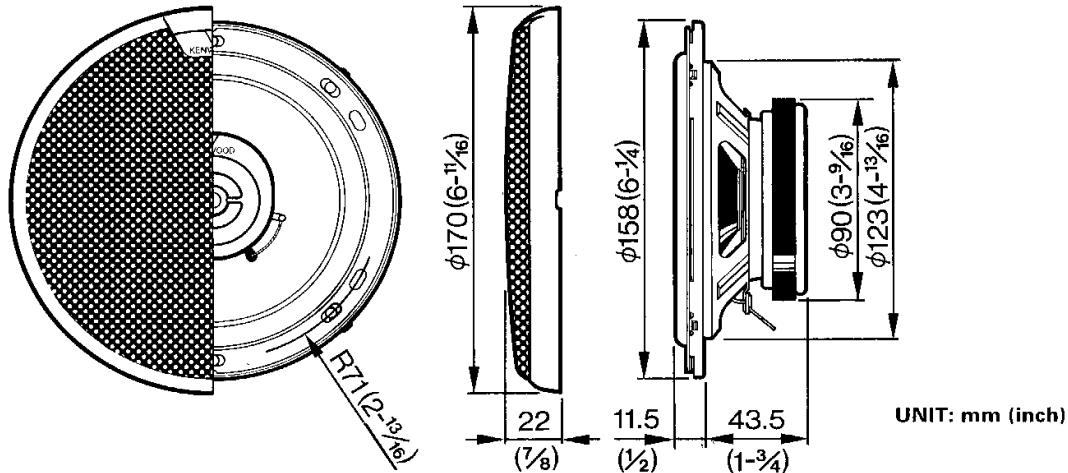
KFC-1675

SERVICE MANUAL

KENWOOD

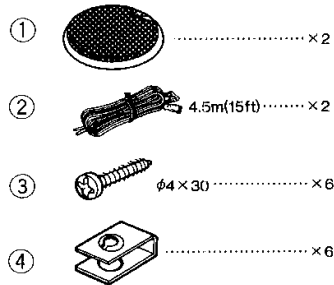
©1995-12 PRINTED IN JAPAN
B51-6938-00 (MC) 1342

EXTERNAL VIEW



UNIT: mm (inch)

PARTS INCLUDED



PARTS LIST

* New Parts
Parts without **Parts No.** are not supplied.
Les articles non mentionnés dans le **Parts No.** ne sont pas fournis.
Teile ohne **Parts No.** werden nicht geliefert.

Ref No.	New Parts	Parts No.	Description
①	*	B06-0975-08	GRILLE
②	*	E30-5283-08	SPEAKER CORD
③~④		N99-1086-18	SCREW SET
SP	*	T15-0321-08	SPEAKER

SPECIFICATIONS

Speakers

Woofers	158mm (6in) Injection P.P. Cone Type
	220g (7.9oz) Magnet
Tweeter	30mm (1-3/16in) Blanced Dome Type
Peak Power	140 Watts
Frequency Response	40Hz~25,000Hz
Sensitivity	92 dB/W at 1m
Impedance	4 Ohms
Net Weight With Grille	1,640g (3.6lb)/Pair

We follow a policy of advancements in development.
For this reason specifications may be changed without notice.